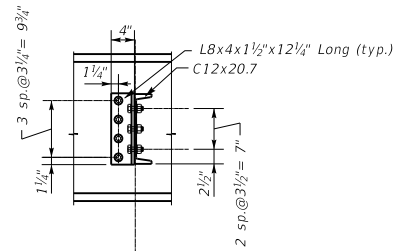
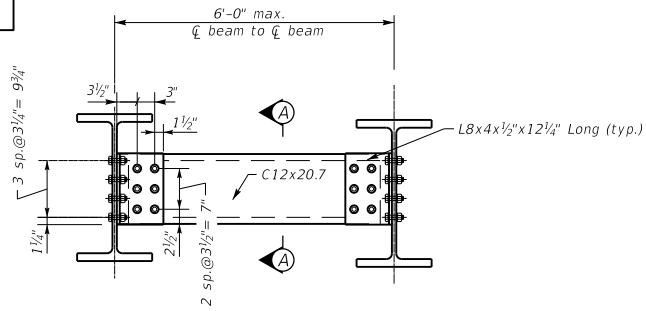


NOTE: Use $\frac{3}{4}$ " \circ Bolts with $\frac{13}{16}$ " \circ Holes Throughout.

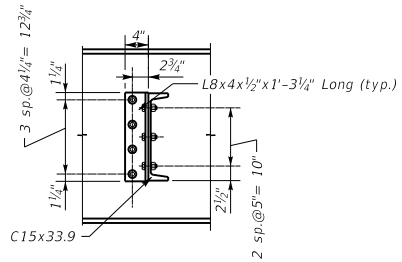


SECTION A-A

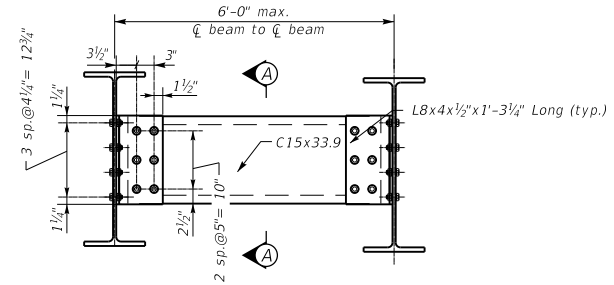


INTERMEDIATE DIAPHRAGM
(for up to 24" beam depth)

NOTE: Use $\frac{3}{4}$ " \circ Bolts with $\frac{13}{16}$ " \circ Holes Throughout.

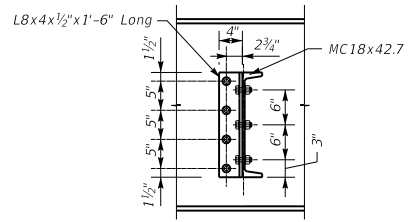


SECTION A-A

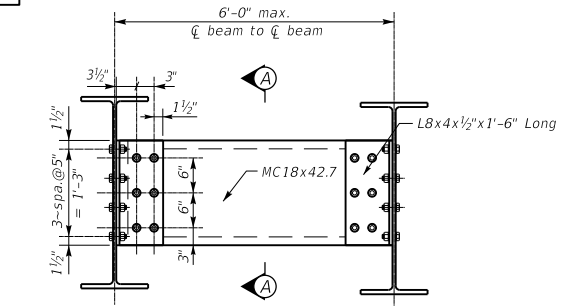


INTERMEDIATE DIAPHRAGM
(for up to 30" beam depth)

NOTE: Use $\frac{3}{4}$ " \circ Bolts with $\frac{13}{16}$ " \circ Holes Throughout.



SECTION A-A



INTERMEDIATE DIAPHRAGM
(for up to 36" beam depth)

KENTUCKY DEPARTMENT OF HIGHWAYS		
COMPOSITE STEEL BEAM SUPERSTRUCTURES DIAPHRAGMS CONTINUED		
STANDARD DRAWING NO. BSB-105		
SUBMITTED <i>Bob Adams</i> DIRECTOR DIVISION OF STRUCTURAL DESIGN	DATE 02-26-20	
APPROVED <i>[Signature]</i> STATE ENGINEER	DATE 02-26-20	